



Installation: hazardous areas - Zone 1 / 2 (Gases) - Zone 21 / 22 (Dusts)
Classification: Group II - Category 2G 2D

DL-NW-PTD-ET



GOST-R
RTR Ex Proof



	CABLE GLANDS ACCESSORIES		
	ATEX 94/9/EC	GOST-R (RTR / RTN)	GOST-K
EXECUTION	Ⓜ II 2 G Ex d IIC Ⓜ II 2 G Ex e II Ⓜ II 2 D Ex tD A21	Ex d IIC / Ex e II DIP A21	Ex d IIC / Ex e II DIP A21
AMBIENT TEMPERATURE	-50°C ÷ +180°C	-50°C ÷ +180°C	-50°C ÷ +180°C
PROTECTION DEGREE	IP66/67/68	IP66/67/68	IP66/67/68
CERTIFICATE REF.	INERIS 07 ATEX 0001X	РОСС ИТ. Г505.В02537	No. 07/43-269
RULES OF COMPLIANCE	EN 60079-0; EN 60079-1; EN 60079-7; EN 61241-0; EN 61241-1	ГОСТ Р 51330.9-99 (МЭК 60079-0-98); ГОСТ Р 51330.1-99 (МЭК 60079-1-98); ГОСТ Р 51330.8-99; ГОСТ Р 51330.10-99 (МЭК 60079-11-99); ГОСТ Р МЭК 61241-1-1-99	ГОСТ Р 51330.0 / 1 / 8 / 14-99 ГОСТ Р МЭК 61241-1-1-2002

Mechanical characteristics

LOCKNUTS		GASKETS	
Material	nichel plated brass	Material	nylon 6.0
Finishes	full nickel plating threatment (brass material only)		
SHORUDS		EARTH TAGS	
Material	PVC	Material	stainless steel

APPLICATIONS

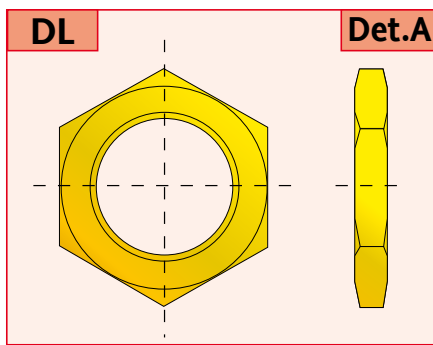
LOCKNUTS Are preferred items used in securing cable glands to the gland plate especially to plastic junction boxes	GASKETS Are used to maintain the ip rating across the interface between the equipment and relevant cable gland
SHORUDS For all tipe of glands application where additional protection is required	EARTH TAGS Are used to ensure earth continuity and grounding of cable armour
SILICONE SEALANT Is provided for submission of barrier cable glands type-R	

DL - NW - PTD - ET

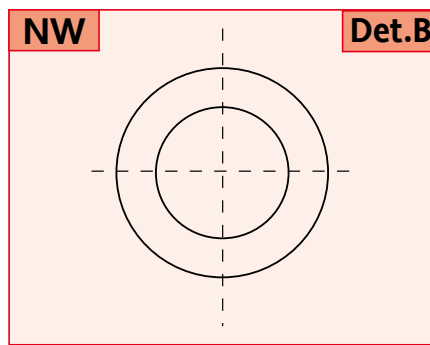
CABLE GLANDS ACCESSORIES – Technical Features

DL - NW - PTD - ET

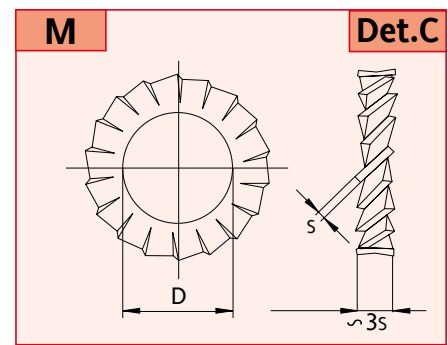
LOCKNUTS			
DETAIL A	THREADS / SIZE		
TYPE	NPT	UNI-228	ISO
DL0	3/8"	3/8"	M16
DL1	1/2"	1/2"	M20
DL2	3/4"	3/4"	M25
DL3	1"	1"	M32
DL4	1-1/4"	1-1/4"	M40
DL5	1-1/2"	1-1/2"	M50
DL6	2"	2"	M75
DL7	2-1/2"	2-1/2"	M75
DL8	3"	3"	M90



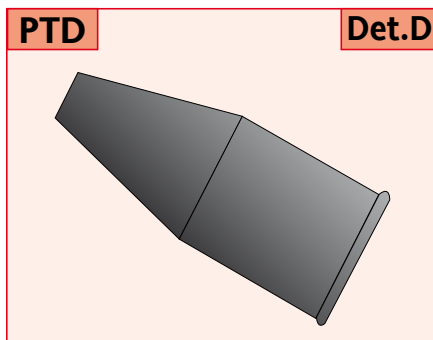
GASKETS			
DETAIL B	THREADS / SIZE		
TYPE	NPT	UNI-228	ISO
NW0	3/8"	3/8"	M16
NW1	1/2"	1/2"	M20
NW2	3/4"	3/4"	M25
NW3	1"	1"	M32
NW4	1-1/4"	1-1/4"	M40
NW5	1-1/2"	1-1/2"	M50
NW6	2"	2"	M75
NW7	2-1/2"	2-1/2"	M75
NW8	3"	3"	M90



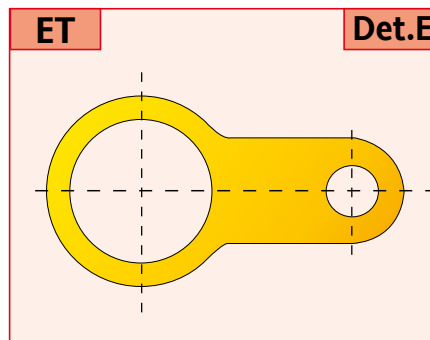
WASHERS		
TYPE	ØD [mm]	DETAIL
M20	20	C
M25	25	C
M32	32	C
M40	40	C
M50	50	C
M63	63	C



SHROUDS			
DETAIL D	THREADS / SIZE		
TYPE	NPT	UNI-228	ISO
PTD0	3/8"	3/8"	M16
PTD1	1/2"	1/2"	M20
PTD2	3/4"	3/4"	M25
PTD3	1"	1"	M32
PTD4	1-1/4"	1-1/4"	M40
PTD5	1-1/2"	1-1/2"	M50
PTD6	2"	2"	M75
PTD7	2-1/2"	2-1/2"	M75
PTD8	3"	3"	M90



EARTHS TAGS			
DETAIL E	THREADS / SIZE		
TYPE	NPT	UNI-228	ISO
ET0	3/8"	3/8"	M16
ET1	1/2"	1/2"	M20
ET2	3/4"	3/4"	M25
ET3	1"	1"	M32
ET4	1-1/4"	1-1/4"	M40
ET5	1-1/2"	1-1/2"	M50
ET6	2"	2"	M75
ET7	2-1/2"	2-1/2"	M75
ET8	3"	3"	M90



SILICON SEALANT	
CABLE GLANDS SIZE	Q.TY SEALING [ml]
0	2
1	3
2	6
3	15
4	20
5	30
6	50
7	100
8	150



REMARK:

Due to the development of the national and international specifications and of the technology, the above technical characteristics showed on this bulletin can be considered as binding on our confirmation only.